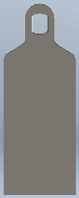
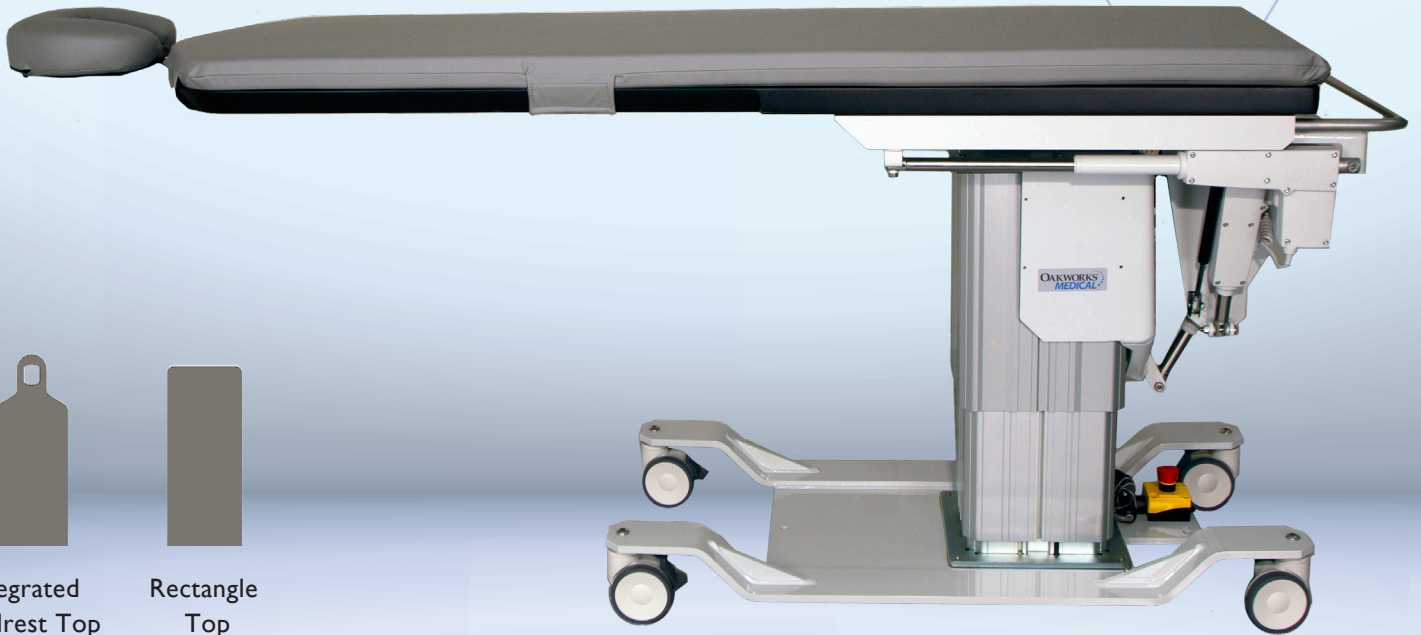


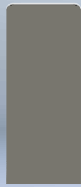
CFPM400 & CFPM401

Imaging Tables

Oakworks Imaging Tables have a large height range helping to create safe patient transfers while allowing doctors to stand comfortably. Our large lifting column is very rigid, ensuring rock solid support for fast imaging and procedures.



Integrated Headrest Top



Rectangle Top

MOTIONS



Motion 1
HEIGHT RANGE
26" - 44"



Motion 2
TRENDLENBURG TILT
+15°/-12°



Motion 3
LONGITUDINAL TRAVEL 10"

CFPM400	CFPM401
	
<i>Motion 4</i> LATERAL TILT ±15°	<i>Motion 4</i> LATERAL TRAVEL ±4"



FM584901

made in the USA
with US & imported parts



SPECIFICATIONS

- Large Adjustable Height Range 26"- 44"
- 56" Metal Free Imaging Space
- Cost Effective 4 Movement Table
- 500 lb Patient Weight Capacity
- Warranty: 3 years parts, 2 years labor

CFPM400 #81772 Integrated #81808 Rectangular **CFPM40I** #81802 Integrated #81809 Rectangular

INCLUDED FEATURES	
Carbon Fiber Top 56" Metal free imaging space	Integrated Headrest 22" (56cm) wide x 84" (214cm) long Rectangular 24" (61cm) wide x 80" (203cm) long
CFPM400 MOVEMENTS	
Motion 1	Electric Height Range 26" - 44" (66-112cm) (4" casters without pad)
Motion 2	Electric Trendelenburg tilt +15°/-12°
Motion 3	Electric Longitudinal travel 10" (25cm)
Motion 4	Electric Lateral tilt ±15°
CFPM40I MOVEMENTS	
Motion 1	Electric Height Range 26" - 44" (66-112cm) (4" Casters without pad)
Motion 2	Electric Trendelenburg tilt +15°/-11°
Motion 3	Electric Longitudinal travel 10" (25cm)
Motion 4	Electric Lateral travel ±4" (10cm)
Controls	Multi-function hand control
Weight Capacity	500 lb (227kg)
Product Weight	475 lb (216kg)
Included Features	2" (5cm) Radiolucent Comfort Foam™ table top pad, 4" (10cm) locking casters, Crescent face rest pad (included with integrated headrest top), patient restraint straps (2)
Warranty	3 years parts, 2 years labor
Safety Listings	FDA listed, CE marked, cETLus listed, CB Certificate

OPTIONS <i>must be ordered with table.</i>		#
5" (13cm) casters	Upgrade from the standard 4" (10cm)	65427
Foot Control (CFPM400)	multi-functional with cradle on table base	75077
Foot Control (CFPM40I)	multi-functional with cradle on table base	75078
Non-USA electric system	Please contact us for order details	73134
ACCESSORIES <i>order any time.</i>		#
Arm Hammock	Use with Integrated Head Rest Top	48751
Carbon Fiber Arm Board (6" wide)	180° Articulation	81822
Fluoro Extender	Polycarbonate	33975
Interventional Supine Pillow System	Contoured pad and support wedge pad	81821
Spine Positioning System II	8 piece system	81819
T-rail Clamp	6" (15cm) long rail	63336

ACCESSORIES

SPINE POSITIONING SYSTEM II

Radiolucency & flexibility for ideal cervical, thoracic & lumbar visualization. Minimize unwanted movement & reduce procedure time.



ARM HAMMOCK

This unique product will comfortably & easily support your patient's arms when prone.



Easily attached to the Integrated Head Rest table top

SINGLE CARBON FIBER ARM BOARD

Fully radiolucent with a 180° range of motion, the arm board requires no mounting or attachment hardware and simply slides under the table top pad. It can be used on any fluoroscopy table & will support arms and feet in a variety of positioning configurations.



FLUORO EXTENDER

Made of radiolucent, polycarbonate material, it's organic shape is conducive to a variety of table placement applications.



6" ADJUSTABLE T-RAIL CLAMP

The adjustable T-rail clamp can be positioned along the grooved table top edge. Clamp is also removable.



5" CASTER (OPTIONAL)

5" heavy duty caster designed for transporting tables over pavement for mobile service providers



717.759.3146 www.oakworksmed.com email: medsales@oakworks.com