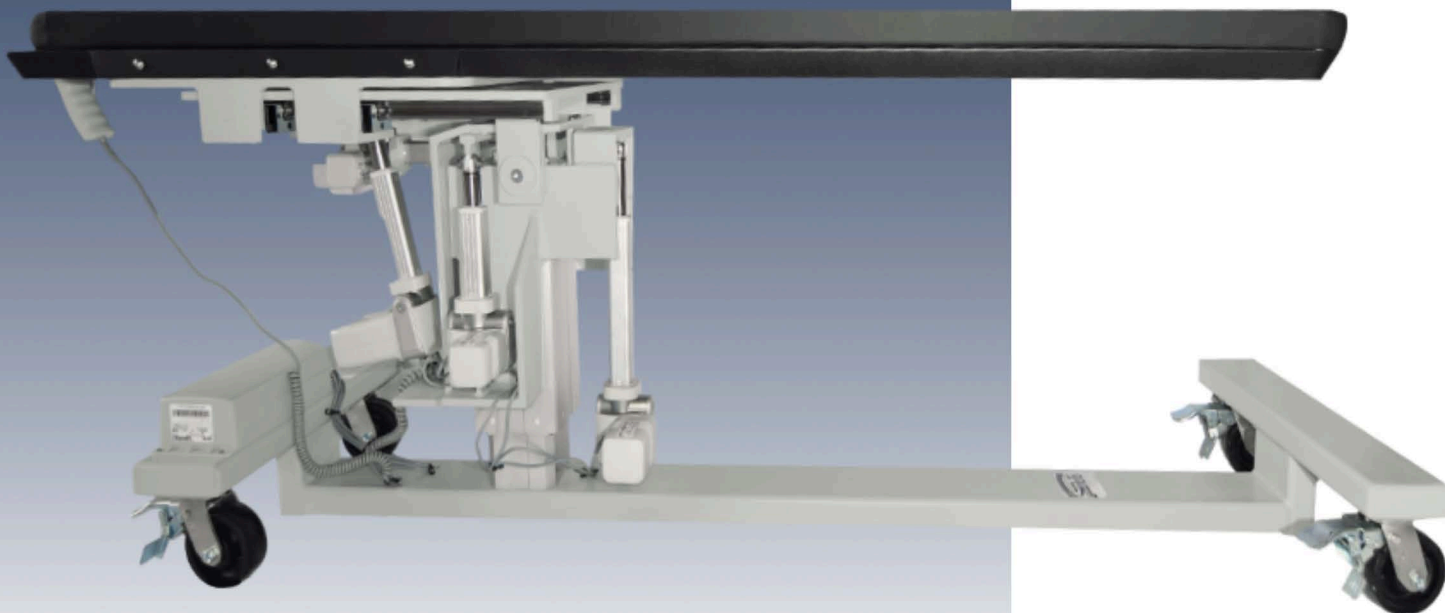


Streamline

Series Pain Management C-arm Table
by Surgical Tables, Inc.



Easy c-arm access

500 lb weight capacity

2" patient comfort pad

Lightweight and easy to move

24" wide top

Made in the USA

Standard Accessories:

Hand Control



Patient Straps



Optional Accessories



Standard Side Rails



Paper Roll



Foot Control

*Streamline 1, 2, & 3 require upgrade to use both hand and foot controls simultaneously



Modular Side Rails



Surgical Arm Boards
*Require side rails



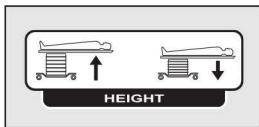
Procedural Arm Boards



Configurations/Specifications

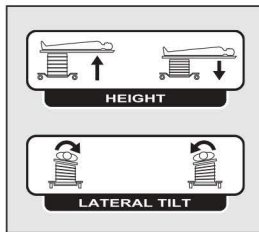
Streamline 1

Height 28"-38"



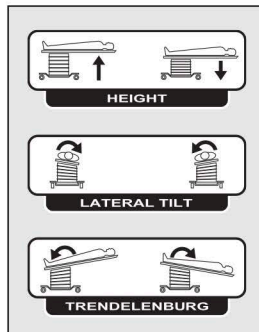
Streamline 2

Height 28"-38"



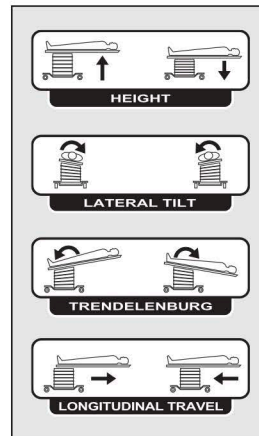
Streamline 3

Height 28"-38"



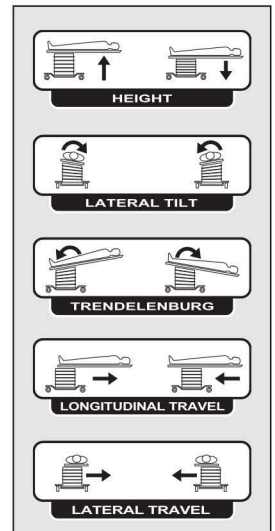
Streamline 4

Height 30"-40"



Streamline 5

Height 33.5"-43.5"



Surgical Tables, Inc

2 DeBush Ave Unit C3
Middleton, MA 01949 USA

888-737-5044/978-777-4031

sales@surgicaltables.com

www.surgicaltables.com

500 lb weight limit
Tabletop: 84"L x 24"W
120V/60Hz or 230V/50Hz
5" Locking Swivel Castors
2" Thick Mattress
Lateral Tilt: 17°
Trendelenburg: 13°
Longitudinal Travel 10"
Lateral Travel: 10"
Table Dimensions: 86"L x 26"W